



单轴撕碎机WT2260配螺旋输送
Single shaft shredder WT2260 with screw loader



塑料破碎清洗回收线
Plastic crushing & washing line



管材撕碎机WT4080简易破碎线
Pipe shredding system WT4080 recycling Line



单轴撕碎机WT40150+破碎机PC52120生产线
Single shaft shredder WT40150 with Granulator PC52120



单轴撕碎机WTF40120配磁选生产线
Single shaft shredder WTF40120 with magnetic separation



薄膜破碎清洗生产线
Film shredding & washing system

3E[®]

SHREDDING EQUIPMENT CHINA 3E

撕碎设备·中国3E



SINGLE SHAFT SHREDDER

单轴撕碎机



Domestic sales
国内销售热线Tel:86-(0)20-39960299

Oversea sales
海外销售热线Tel:86-(0)20-84729983

2023年1月印刷

广州市联冠机械有限公司 GUANGZHOU 3E MACHINERY CO.,LTD

Webstie: www.3e-machinery.com / www.3e-recycling.com

中国·广州市番禺区大龙街泰安路西六横街4号 No.4 XI LIU HENG STREET,TAIAN ROAD,DALONG,PANYU DISTRICT,GUANGZHOU,CHINA



3E机械官网



公司微信



应用 | APPLICATIONS



塑料制品 Plastics

薄膜Film /吨袋Woven Bag /PET瓶PET Bottle /塑料桶Plastic Barrels /管材Plastic Pipe/ 塑料板Plastic boards等



硬质塑料 Hard Plastics

胶头料Plastic lump(purgings) /纤维Fiber/高强度工程塑料 High strength engineering plastic (ABS, PC, PPS and etc)



木材 Wood

圆木Timber/ 树根Tree root /木托板Wood Pallets



电线电缆 Coble



纸张 Paper



轻金属 Light Metal

易拉罐Aluminum can, 铝屑Aluminum scrap等



大型家电 White Goods

电视机外壳 TV Shell, 洗衣机外壳 Washing Machine Shell, 冰箱外壳 Refrigerator body Shell, 电路板Circuit boards



固体垃圾 Solid Waste

生活垃圾MSW, 垃圾衍生物RDF, 医疗废弃物 Medical waste, 工业废品 Industrial waste

其他 Other

橡胶 Rubber, 纺织品Textile, 复合玻璃纤维制品Fiber& glass products



WT系列单轴撕碎机的设计可满足各种行业的废料回收要求,适用于塑料、纸张、木材、纤维、橡胶,生活垃圾回收处理等。可回收材料种类繁多,我们根据物料进料大小、产量以及最终产品的出料尺寸等为客户配置最优的方案。经撕碎后的物料可直接回收使用或者根据需求作进一步细化处理。该系列单轴撕碎机采用西门子编程控制系统,可以自动控制、设有启动、停止、反转及超载自动反转控制功能,具有低速、大扭矩,低噪音等特点。

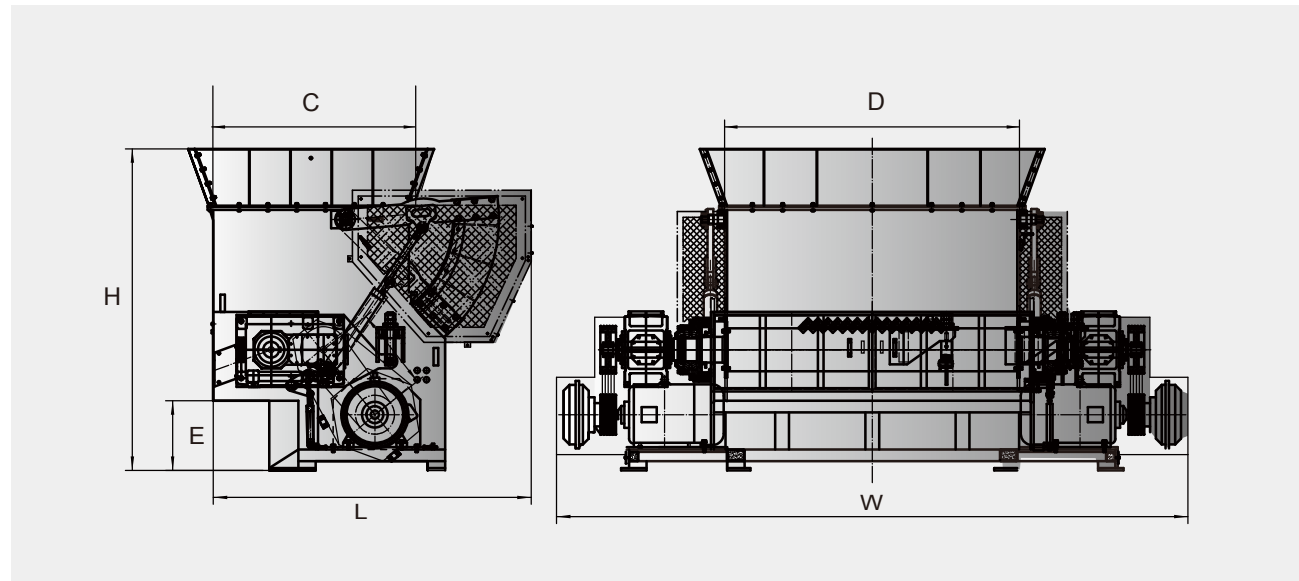
The WT series single shaft shredder is available to recycle wide range of material.It is an ideal machine for plastics,paper,wood,fiber,rubber,organic waste a wide variety of non metallic materials.As per our customer's requirements,such as the input size of the material,capacity and the final output size etc,we could work out a suitable proposal for our clients.After being shredded by the machine,the output material could be used directly or go into the next step of size reduction.With the function of Siemens microcomputer control system,it is possible to control automatically start,stop,automatic reverse sensors to protect the machine against over loading and jamming.

■ 摆臂式单轴撕碎机 SWINGING ARM SINGLE SHAFT SHREDDER

该系列适用于撕碎大型物料，如：电视机、洗衣机、冰箱等电器外壳，及大型管材、管件，叉车托板、轮胎、包装桶等。

The WTB range is swinging arm shredder which uses gravity to guide material onto the shaft.

Suitable for processing a wide range of materials including: Refrigerator ,tires,washing machine,copper, pipe,barrels,aluminum,pallets.



Model Item	WTB48150	WTB48200	WTB48250
外形尺寸Dimension L/W/H(mm)	2740 X 3570 X 2770	2740 X 4265 X 2770	2740 X 4930 X 2770
粉碎室尺寸Cutting Chamber C/D(mm)	1500 X 1618	2000 X 1618	2500 X 1618
出料口高度 Height of discharge port E(mm)	600	600	480
油缸行程Cylinder Stroke(mm)	550	550	550
刀体回转直径Rotor Diameter(mm)	φ464.8	φ464.8	φ464.8
主轴转速Main Shaft Speed (r/min)	83	83	83
筛网孔径Screen Mesh(mm)	φ40	φ40	φ40
动刀数量Rotor-knives(PCS)	90+4	114+4	144+4
定刀数量Stator-knives(PCS)	3	4	5
主机功率Main Motor Power(KW)	90	75+75	90+90
液压电机功率Hydraulic Motor Power(KW)	5.5	7.5	7.5
设备重量Weight(KG)	Approx 9500	Approx 12000	Approx 15000

说明:

- 1.以上为机器的默认配置，筛网可按用户要求在φ20-φ100mm之间定制；薄膜撕碎机采用Z型筛网，间隙可按用户要求在20-40mm之间定制；
- 2.动刀数量“+”后面的数量为平动刀数量；
- 3.以上规格仅供参考，如有更改恕不另行通知。请在订购前与我司销售代表确认。

NOTICE:

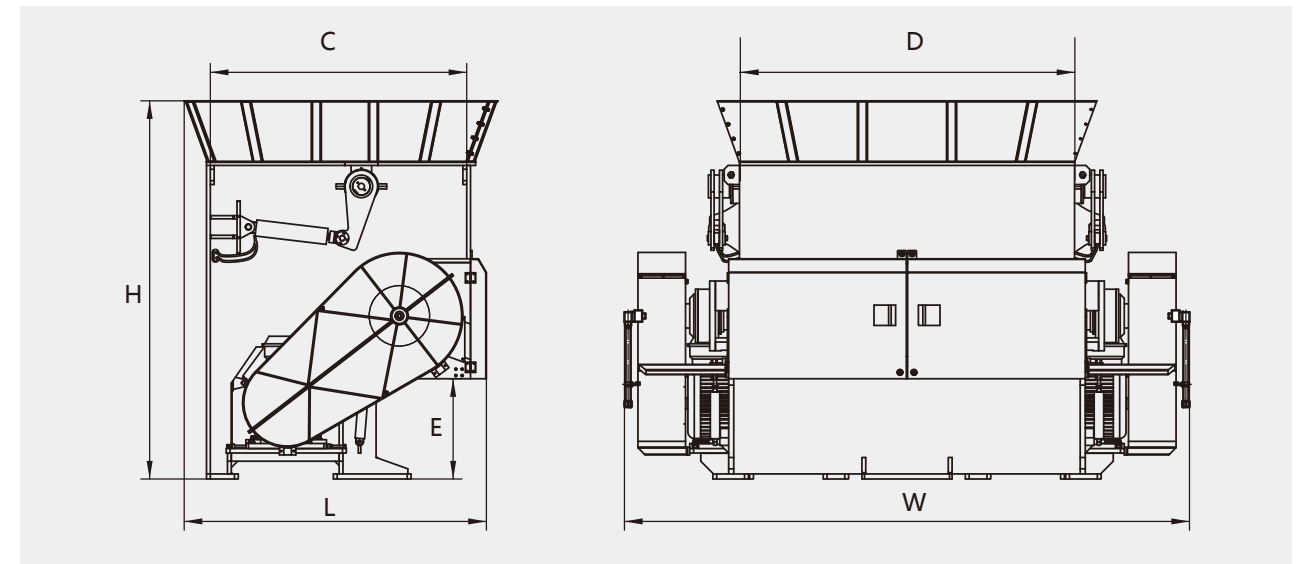
- 1.The above data of screen mesh is the default specification, and the diameter is available between φ20-φ100 at user's request. Film shredder adopts Z style screen which ranges between 20-40mm spaces.
2. "+" after Rotor-knives means the quantity of the flat blade;
- 3.The above specifications are only for reference and subject to change without prior notice, please confirm with our sales representative when making order.

■ RDF高速撕碎机 RDF SINGLE SHAFT SHREDDER

RDF高速撕碎机采用优质合金钢刀具，大间距V型排布，中高速、大转矩，根据物料成分的不同，处理量可以达到3-15吨/小时，特别适合预处理过的RDF城市生活垃圾、预碎过的纺织品布料、塑料膜、木材等物料的破碎及大产量配置需求。

The blades of RDF high-speed shredder are made by good quality alloy steel, and the blades are installed on the shaft by V type with large space. With high rotor speed, large torque, it could process different material.

The capacity of the machine could reach 3 to 15ton/h, and it is specially suitable to process pre-processed municipal solid waste,pre-shred textile,plastic film, and wood material ect.



Model Item	WTB48150R	WTB48200R	WTB48250R	WTB66300R
外形尺寸Dimension L/W/H(mm)	3093 X 3450 X 2980	3093 X 3950 X 2980	3162 X 4452 X 2980	3275 X 4860 X 3170
粉碎室尺寸Cutting Chamber C/D(mm)	1500 X 1980	2000 X 1980	2500 X 1980	3000 X 1980
出料口高度 Height of discharge port E(mm)	790	790	790	950
油缸行程Cylinder Stroke(mm)	330	330	330	330
刀体回转直径Rotor Diameter(mm)	φ480	φ480	φ480	φ650
筛网孔径Screen Mesh(mm)	φ50	φ50	φ50	φ60
动刀数量Rotor-knives(PCS)	51	69	87	140
定刀数量Stator-knives(PCS)	36	46	56+4	68
主机功率Main Motor Power(KW)	110	90+90	110+110	160+160
液压电机功率Hydraulic Motor Power(KW)	7.5	11	11	15
设备重量Weight(KG)	Approx 10000	Approx 17000	Approx 21000	Approx 25000

说明:

- 1.以上为机器的默认配置，筛网可按用户要求在φ20-φ100mm之间定制；薄膜撕碎机采用Z型筛网，间隙可按用户要求在20-40mm之间定制；
- 2.动刀数量“+”后面的数量为平动刀数量；
- 3.以上规格仅供参考，如有更改恕不另行通知。请在订购前与我司销售代表确认。

NOTICE:

- 1.The above data of screen mesh is the default specification, and the diameter is available between φ20-φ100 at user's request. Film shredder adopts Z style screen which ranges between 20-40mm spaces.
2. "+" after Rotor-knives means the quantity of the flat blade;
- 3.The above specifications are only for reference and subject to change without prior notice, please confirm with our sales representative when making order.