



SHREDDING EQUIPMENT CHINA 3E

撕碎设备·中国3E



金属撕碎 Metal shredding



塑料撕碎 Plastic shredding



轮胎撕碎 Tire shredding



废旧家电撕碎 Waste appliances shredding



打包铝撕碎 Baled aluminum shredding



木材撕碎 Wood shredding



钢丝管材撕碎 Plastic-steel pipe shredding



汽车外壳撕碎 Call shell shredder



Two shaft shredder

双轴撕碎机



Plastic WEEE Tire Metals Wood Package



Domestic sales
国内销售热线Tel:86-(0)20-39960299

Oversea sales
海外销售热线Tel:86-(0)20-84729983

2023年1月印刷

广州市联冠机械有限公司 GUANGZHOU 3E MACHINERY CO.,LTD

Webstie: www.3e-machinery.com / www.3e-recycling.com

中国·广州市番禺区大龙街泰安路西六横街4号 No.4 XI LIU HENG STREET,TAIAN ROAD,DALONG,PANYU DISTRICT,GUANGZHOU,CHINA



3E机械官网



公司微信



GL系列双轴撕碎机可满足各行业的废料回收要求，适合撕碎较厚难碎的物料如：电子垃圾、塑料、金属、木材、废旧橡胶、包装桶、托板等。可回收材料种类繁多，经撕碎后的物料可直接回收使用以或根据需求作进一步细化处理。适用于工业废弃物回收、医疗回收、电子制造、托板制造、木材加工、生活垃圾回收、塑料回收、轮胎回收、造纸等行业的应用。该系列双轴撕碎机拥有低速、大转矩、低噪音等特点，采用西门子编程控制系统，可以自动控制、设有启动、停止、反转以及超载自动反转控制功能。

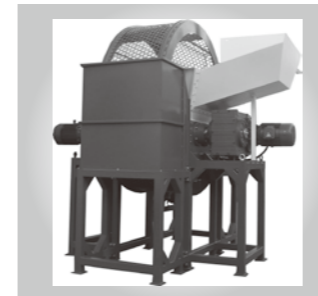
The GL series shredders have been designed for a wide array of applications and industries, suitable for shredding solid material such as E-waste, metal, wood, plastic, scrap tires, packaging barrel, pallets, etc. Depending on input material and the following process the shredded material can be used directly or go into the next step of size reduction. It is widely used in industry waste recycling, medical recycling, electronic recycling, pallet recycling, municipal solid waste recycling, plastic recycling, tire recycling, papermaking industry and etc.

3E's series Two Shaft Shredder has two rotors built into the machine that rotate at low speeds, high torque and low noise. Adopt SIEMENS LOGO microcomputer control system with function of start, stop, automatic reverse sensors to protect the machine against over loading and jamming.

Application | 应用

	<p>• 塑料 Plastic 小型工程塑料 Small engineering plastic 塑料托板 Plastic pallets 塑料管材 Plastic pipe 包装桶 Packaging barrel 钢丝管材 Composite pipe with steel wire 胶头料 Lump</p>		<p>• 电子垃圾 WEEE appliances 电视机 TV 电脑 Computer 洗衣机 Washing machine 打印机 Printer 冰箱外壳 Refrigerator body shells</p>
	<p>• 金属 Metal 薄壁废钢 Steel (Drums, Sheet etc) 铝型材 Aluminum Profile 汽车车身 Vehicle Body Shells 打包铝 Baled Aluminum 发动机外壳 Engine Case 油桶 Oil Drum等</p>		<p>• 废旧橡胶 Waste Rubber 轮胎 Tires 橡胶制品 Rubber products</p>
	<p>• 木材 Wood 木托板 Wood pallets, 木材 Timber 枕木 Crosstie</p>		<p>• 其他 Other 生活垃圾 MSW 医疗废弃物 Medical Waste 工业垃圾 Industrial Waste 纸张文件 Paper 生物质 Biomass</p>

特点 | Key features of 3E's Two shaft shredders



旋转筛网 | Rotating Screen

在双轴撕碎机上可安装旋转筛网来控制物料的尺寸。撕碎后的物料若大于筛网的孔径，将再循环送入撕碎机重复撕碎，使撕碎后的物料控制在指定的尺寸范围。

Since material does not pass through a traditional screen when used on a two-shaft shredder, we use a rotating screen to control the chip size. It features a rotating trammel screen around the machine body which feeds oversized particles back into the shredder hopper to be shredded again.



液压喂料 | Hydraulic Feeder

当处理中空或者松散的物料时，双轴撕碎机上可安装压料装置，通过液压把中物料强制压送到切刀上，大大提高撕碎效率。

When shredding large hollow items, we can fit the machine body with a hydraulic ram which forces the material onto the blades, the throughput can be increases accordingly.



液压驱动 | Hydraulic Drive

双轴撕碎机可采用液压驱动替代电机驱动，具有高转速、超大转矩的特点，能频繁正反转，适用于金属的撕碎。可使撕碎更平稳的同时减低机械损坏机率。

The hydraulic drive system, instead of motor drive, is designed to work under the harshest applications. It increases torque and the speed can be controlled without undesirable current peaks. Meanwhile, the probability of the mechanical damage is reduced according.



行星齿轮减速机 | Planet-gear Speed Reducer

结构紧凑，体积小，传递功率大，承载能力高。具有传动效率高，运行平稳，抗冲击和抗震能力高的特点。

Compact structure, small size, high speed of transmit, large bearing capacity. There are various features, such as high efficiency of transmit, steady operation, impact resistant and shock resistant etc.



刀具 | Blade

根据要撕碎不同的材料和产品形状，可选择不同类型的刀具

To ensure durability and flexibility, we can offer the different kinds of blades according to different material.

刀体结构 | Combined Type

■ 整体刀体结构 Solid Blades



适合撕碎各种普通物料，如电子垃圾、硬质塑料、橡胶，各种材质的包装桶等
Use for shredding E-waste, rigid plastic, rubber and all kinds of barrels, etc.

■ SW型刀体结构 SW Blades



适合撕碎易碎或脆性材质的物料，如木材、铝制发动机外壳等
Suitable for various materials such as wood, aluminum engine case and so on brittle materials.

■ 菠萝刀体结构 Special Blades



适合撕碎如电路板等硬质物料，能无需筛网直接把物料撕碎到10mm以下的尺寸
Use for shredding the rigid plastic such as circuit board, the output size is smaller than 10 mm.

■ 装配刀具 Assembling Blades



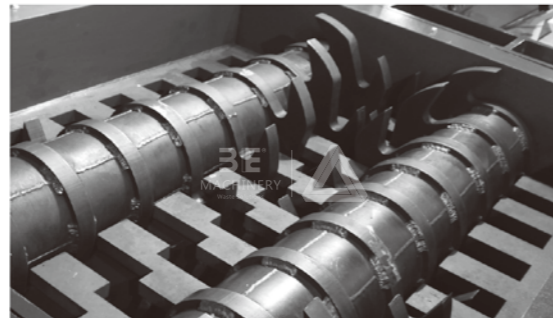
适合撕碎重金属或厚塑料，如电冰箱、金属桶以及厚度在10mm以上的物料
Use for shredding scrap metal and thick plastic, such as fridge shell, metal barrels and the thickness of materials more than 10 mm.

■ VZ型刀体机构 VZ Blades



适合撕碎轻薄材质的物料，如打包铝、汽车外壳等
Suitable for shredding the light materials, such as baled aluminum, car shell and etc.

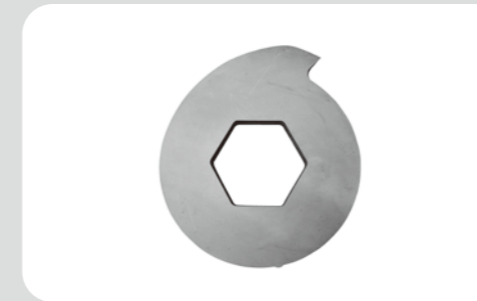
■ SPR型刀体结构 SPR Blades



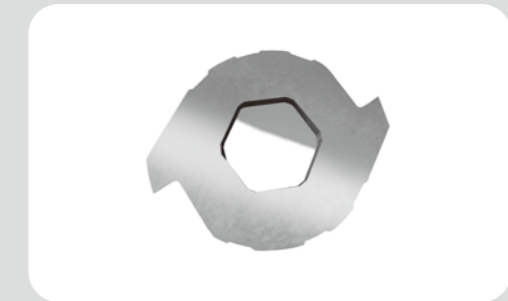
适合处理RDF(垃圾衍生生物燃料)、MSW(固体废弃物)等生活废弃物，作预碎和开包使用，物料出料少于300mm
Use for the solid waste pre-shredding and break down packaging, the output size is less than 300mm.

刀片的类型 | Blades with different hooks

Single-hook blade



Two-hook blade



Four-hook blade



Six-hook blade

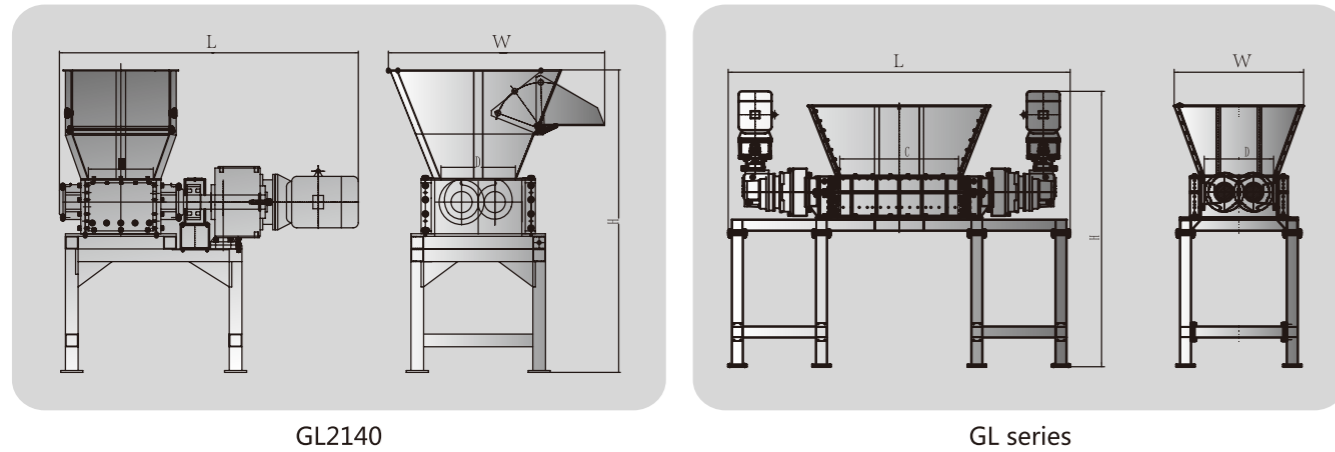


按刀片抓数分类 Hooks type	应用特点 Application characteristics
单爪刀片 Single-hook blade	单爪刀片适用广泛，因其具有很强的撕碎力度，可用于各种物料的撕碎。 Single hook blade configuration is the most universal blade choice. It has a powerful structure and can be used in a wide range of applications.
双爪或多爪刀片 Two-hook or Multi-hook blade	双爪或多爪刀片主要针对一些较为易碎的物料，可提高撕碎的产量。 Multi hook blade configuration is used primarily for shredding easy to shred products. It is more efficient when doing light shredding applications.

刀片的厚度 | Blades with different thickness

- 10mm-20mm的刀片适用于较薄较易破碎的产品，如医疗用品和电路板等。
The 10 and 20mm thick blades are suitable for fragile materials such as medical packaging and electrical board.
- 40mm-50mm厚的刀通用于一般产品，如塑料制品，薄膜，塑料桶，轮胎，木头木板等。
The 40 and 50mm thick blades are widely used. It is suitable for various materials such as tires, plastic products, wood pallets, film and etc
- 75mm以上的刀片适用于较厚塑料或塑料和金属复合制品，如电冰箱，金属罐，及金属厚度在10MM以下的其它制品。
75mm thickness blades are used for shredding metal items or plastic/metal compounds such as refrigerators and drums. The blades can handle material up to 10mm in thickness.

Specification | 规格



小型双轴撕碎机 | Small two shaft shredder

适合撕碎较厚难碎的物料如：电脑硬盘、小型工程塑料、家电产品、胶头料等。
Suitable for crushing the solid material like hard disk, small engineering plastics, home appliance and toe gum etc.

Model Item	GL2140	GL2160	GL2180
外形尺寸Dimension L/W/H(mm)	2010 x 1030 x 1911	2820 x 1030 x 1911	3040 x 1030 x 1911
粉碎室尺寸 Cutting chamber C/D(mm)	410 x 470	610 x 470	810 x 470
刀体回转直径Rotor Diameter(mm)	φ 284	φ 284	φ 284
刀体数量 Blade quantity(pcs)	20	30	40
标准刀体厚度 Blade thickness(mm)	40	20	20
主机功率Main Motor Power(kw)	7.5	5.5+5.5	7.5+7.5
设备重量 Weight(kg)	Approx 1500	Approx 2100	Approx 2200

中型双轴撕碎机 | Medium two shaft shredder

适合撕碎特大、特厚难碎物料如:电视机、洗衣机、冰箱外壳、大型管材、管件、叉车托板、轮胎、包装桶、铝、铜及厚度小于5mm的铁。
Suitable for crushing the big solid material like television, washing machine, shell of refrigerator, big size pipe, pipe fittings, forklift splint, tyres, packing barrel, aluminum, copper and steel less than 5mm.

Model Item	GL3280	GL32100	GL32120	GL32140
外形尺寸Dimension L/W/H(mm)	3250 x 1346 x 2275	3450 x 1346 x 2275	3650 x 1946 x 2275	3844 x 1290 x 2529
粉碎室尺寸 Cutting chamber C/D(mm)	812 x 736	1012 x 736	1212 x 736	1412 x 736
刀体回转直径Rotor Diameter(mm)	φ 430	φ 430	φ 430	φ 430
刀体数量 Blade quantity(pcs)	20	25	30	36
标准刀体厚度 Blade thickness(mm)	40	40	40	40
主机功率Main Motor Power(kw)	15+15	22+22	30+30	30+30
设备重量 Weight(kg)	Approx 4500	Approx 4900	Approx 5200	Approx 5600

Model Item	GL32180	GL40100	GL40130	GL40160
外形尺寸Dimension L/W/H(mm)	4462 X 1290 X 2529	4074 x 1770 x 3465	4374 x 1770 x 3765	4674 x 1770 x 3765
粉碎室尺寸 Cutting chamber C/D(mm)	1812 X 736	1012 x 948	1324 x 948	1624 x 948
刀体回转直径Rotor Diameter(mm)	φ 430	φ 514	φ 514	φ 514
刀体数量 Blade quantity(pcs)	45	20	26	32
标准刀体厚度 Blade thickness(mm)	40	50	50	50
主机功率Main Motor Power(kw)	30+30	37+37	45+45	45+45
设备重量 Weight(kg)	Approx 6600	Approx 11400	Approx 11500	Approx 11600

重型双轴撕碎机 | Heavy two shaft shredder

适合撕碎特大、特厚难碎物料如:电视机、洗衣机、冰箱外壳、大型管材、管件、叉车托板、轮胎、包装桶、汽车外壳、铝、铜及厚度小于10mm的铁。
Suitable for crushing the big solid material like television, washing machine, shell of refrigerator, big size pipe, pipe fittings, forklift splint, tries, packing barrel, vehicle body, aluminum, copper and steel less than 10mm.

Model Item	GL50130	GL50180	GL50220
外形尺寸Dimension L/W/H(mm)	4674 x 1866 x 3905	5170 x 1866 x 3905	5570 x 1866 x 3905
粉碎室尺寸 Cutting chamber C/D(mm)	1312 x 1206	1812 x 1206	2212 x 1206
刀体回转直径Rotor Diameter(mm)	φ 650	φ 650	φ 650
刀体数量 Blade quantity(pcs)	26	36	44
标准刀体厚度 Blade thickness(mm)	50	50	50
主机功率Main Motor Power(kw)	55+55	55+55	55+55
设备重量 Approx Weight(kg)	Approx 13000	Approx 17000	Approx 22000

Model Item	GLD61180	GLD61210	GLD80210
外形尺寸Dimension L/W/H(mm)	5404 x 2404 x 3746	5297 x 2714 x 3537	7110 x 2911 x 4240
粉碎室尺寸 Cutting chamber C/D(mm)	1812 x 1490	2112 x 1510	2108 x 1910
刀体回转直径Rotor Diameter(mm)	φ 800	φ 800	φ 980
刀体数量 Blade quantity(pcs)	24	-	-
标准刀体厚度 Blade thickness(mm)	75	75-150	100-200
主机功率Main Motor Power(kw)	75+75	180-360	266-500
设备重量 Approx Weight(kg)	Approx 24000	Approx 26000	Approx 44000

说明 NOTICE

1. 刀片的厚度是可选的,可根据物体破碎后颗粒大小来确定所需刀体的厚度。
The thickness of blades is optional, it can be chosen according to the required size of the processed material.
2. 机器标准配置刀体为双爪刀体,若需单爪或者多爪刀体可与我司销售代表联系。
Standard blades are single hook. For double-hoo or multi-hooks blades, please confirm with our sales representative.
3. 根据不同类型的物料及撕碎后的处理需求,可选择不同类型的刀辊结构。以上规格仅供参考,如有更改恕不另行通知。
请在订购前与我司销售代表确认。
We can offer a variety of rotor configurations to suit different applications. The above specifications are only for reference and subject to change without prior notice, please confirm with our sales representative when making order.

应用实例 | Application Examples



轮胎撕碎回收线 Waste tire shredding line 3000 kg/h



报废汽车车身回收线 Car shell crushing & recycling line 10000kg/h



金属包装容器破碎处理线 Waste metal recycling line 4000kg/h



冰箱破碎线 Refrigerator recycling line 100 units/hour